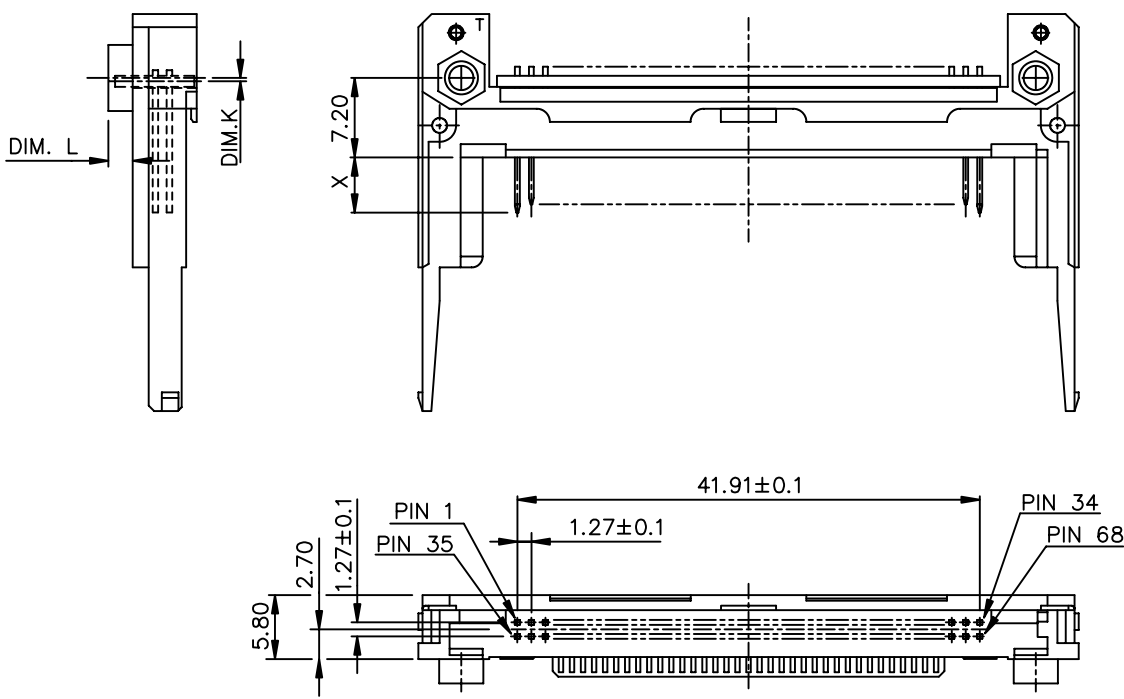


Tous droits strictement réservés. Reproduction ou communication à des tiers int
 propriété de c. BERG ELECTRONICS.
 Droits de reproduction BERG ELECTRONICS by

All rights strictly reserved. Reproduction or issue to third parties in any for
 pinheader is void without written authority from the proprietor.
 Copyright BERG ELECTRONICS by



61127- □ □ □ □ □ □

- LF: LEAD FREE
- B: FOR BOSCH-TELECOM
- N: FOR CANON
- V: FOR VALLEY GREEN
- C: FOR CISCO
- STAND-OFF 00 : 0.0 mm
- 20 : 2.0 mm
- 22 : 2.2 mm
- 30 : 3.0 mm
- 40 : 4.0 mm
- 43 : 4.3 mm
- 50 : 5.0 mm
- UPPER DECK : 5
- LOWER DECK : 0
- TOP MOUNT : 0
- BOTTOM MOUNT : 5

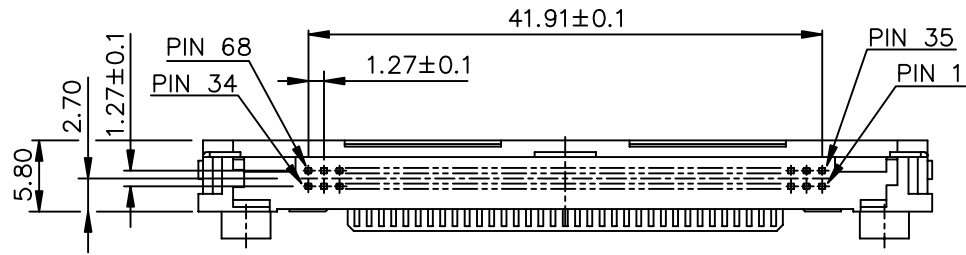
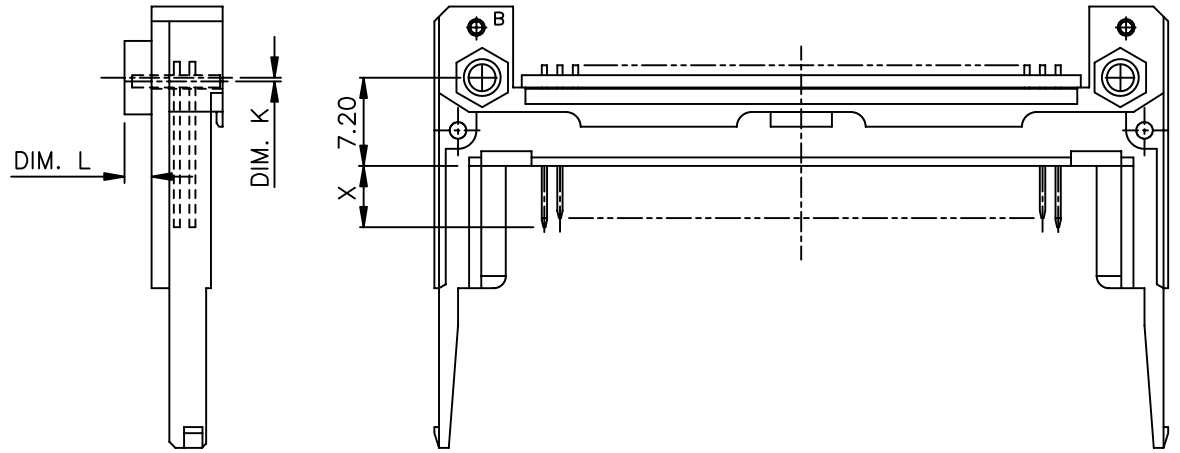
DIM"X"			
PIN NUMBER	4.25±0.1	3.5±0.1	5.0±0.1
	OTHERS		36,67

61127-0522C/0522CLF	0	6.55
61127-0543C/0543CLF	0	6.55
61127-0550C/0550CLF	0	6.55
61127-0043C/0043CLF	4.3	-0.3
61127-0050C/0050CLF	5	-0.3
61127-0022C/0022CLF	2.2	-0.3
61127-0022B/0022BLF	2.2	-0.3
61127-0022/0022LF	2.2	-0.3
61127-0522/0522LF	0	6.55
61127-0543/0543LF	0	6.55
61127-0550/0550LF	0	6.55
61127-0500/0500LF	0	10.0
61127-0100/0100LF	0	2.15
61127-0050N/0050NLF	5	-0.3
61127-0043/0043LF	4.3	-0.3
61127-0050/0050LF	5	-0.3
61127-0022V/0022VLF	2.2	2.15
PRODUCT NO.	DIM.L	DIM.K±0.20

mat'l code		tolerance unless otherwise specified		CUSTOMER COPY		FCI		www.fciconnect.com	
rev.	ecn no.	dr	date	linear	±0.30	projection	title 3.3V EJECTOR HEADER ASS'Y (ABOVE BOARD)		
J	N04-0030	P	H 07/21/04				product family PCMCIA code		
K	N05-0140	W	B 05/31/05				size	dwg no.	sheet 1 of 5
D	T00131	W	L 05/02/00	angles	± 2°	scale	2:1	A3	61127
E	T10263	W	L 10/16/01	dr	WENDY CHEN	07/11/95	unit	mm/inch	
F	T10321	W	L 11/16/01	enr	L.W. LU	07/11/95	scale	2:1	
G	T20036	W	L 01/30/02	chr	JOSEPH HSIA	07/11/95	scale	2:1	
H	T03-0216	W	L 06/09/03	appd	JENN TSAO	07/11/95	scale	2:1	
sheet	revision	K	J	K	J	J			
index	sheet	1	2	3	4	5			

Tous droits strictement réservés. Reproduction ou communication à des tiers sans autorisation écrite du propriétaire.
 Droits de reproduction BERG ELECTRONICS by

All rights strictly reserved. Reproduction or issue to third parties in any form without written authority from the proprietor.
 Copyright BERG ELECTRONICS by



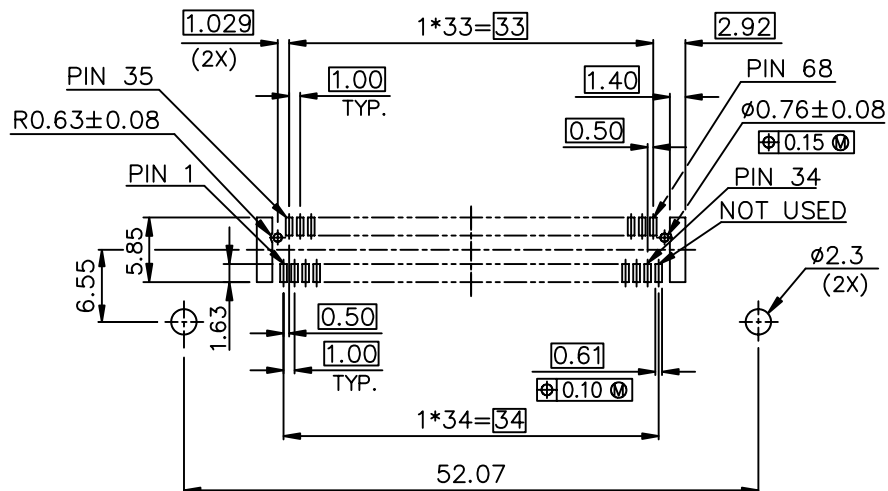
DIM"X"			
PIN NUMBER	4.25±0.1	3.5±0.1	5.0±0.1
	OTHERS	36,67	1,17,34 35,51,68

61127-5022/5022LF	2.2	-0.3
61127-5522/5522LF	0	6.55
61127-5543/5543LF	0	6.55
61127-5550/5550LF	0	6.55
61127-5500/5500LF	0	10.0
61127-5043/5043LF	4.3	-0.3
61127-5050/5050LF	5	-0.3
PRODUCT NO.	DIM.L	DIM.K±0.20

mat'l code		tolerance unless otherwise specified		CUSTOMER COPY		 www.fciconnect.com	
rev.	ecn no.	dr	date	linear	±0.30	projection	 title 68POS. EJECTOR HEADER HEADER ASS'Y
J				angles	± 2°		
				dr	WENDY CHEN 10/16/01	unit	product family PCMDA code size dwg no.
				enr	MINERVA WANG 10/16/01	mm/inch	
				chr	MINERVA WANG 10/16/01	scale	A3 61127 sheet 2 OF
				appd	JENN TSAO 10/16/01	2:1	
sheet index	revision						

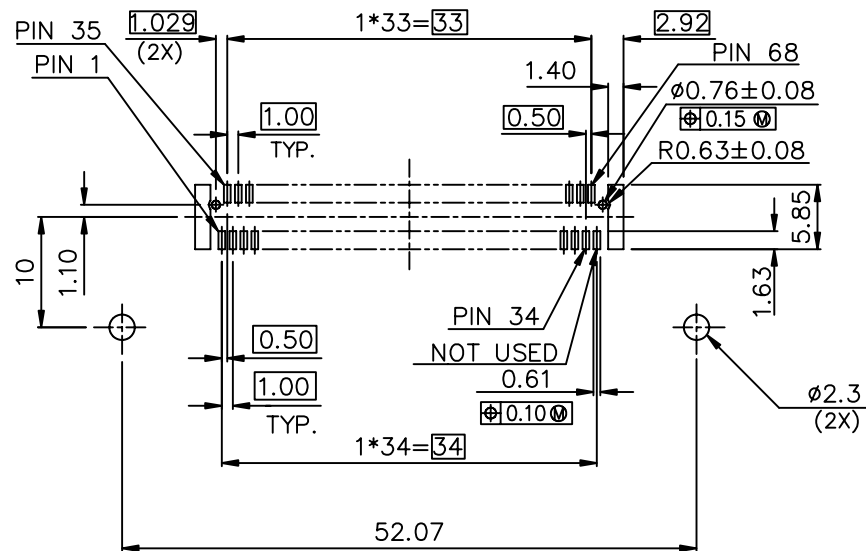
FOR P/N: 61127-0522/0543/0550/0522LF/0543LF/0550LF

FOR P/N: 61127-0522C/0543C/0550C/0522CLF/0543CLF/0550CLF



(RECOMMENDED PCB LAYOUT FOR CONAN)

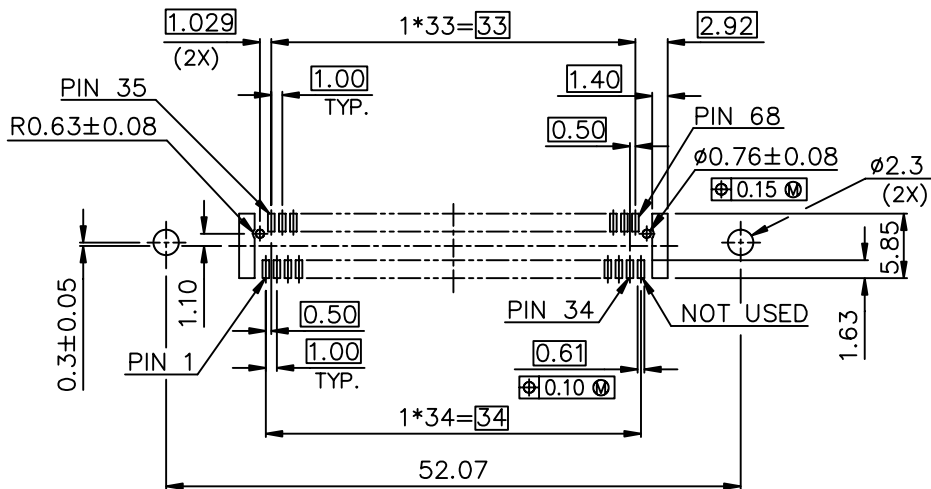
FOR P/N: 61127-0500/0500LF




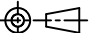
(RECOMMENDED PCB LAYOUT FOR CONAN)

FOR P/N: 61127-0022/0043/0050/0022B/0050N/0022C/0043C/0050C

FOR P/N: 61127-0022LF/0043LF/0050LF/0022BLF/0050NLF/0022CLF/0043C/0050CLF



(RECOMMENDED PCB LAYOUT FOR CONAN)

mat'l code		tolerance unless otherwise specified		CUSTOMER COPY		 www.fciconnect.com	
rev.	ecn no.	dr	date	linear	±0.10	projection	title
K				angles	± 2°		68POS. EJECTOR HEADER HEADER ASS'Y
		dr	WENDY CHEN 05/02/00	unit	mm/inch	product family	PMGIA
		enr	JOSEPH HSIA 05/02/00	size	dwg no.	code	
		chr	JOSEPH HSIA 05/02/00	scale	2:1	61127	sheet 3 of
		appd	JOSEPH HSIA 05/02/00				
sheet index	revision						

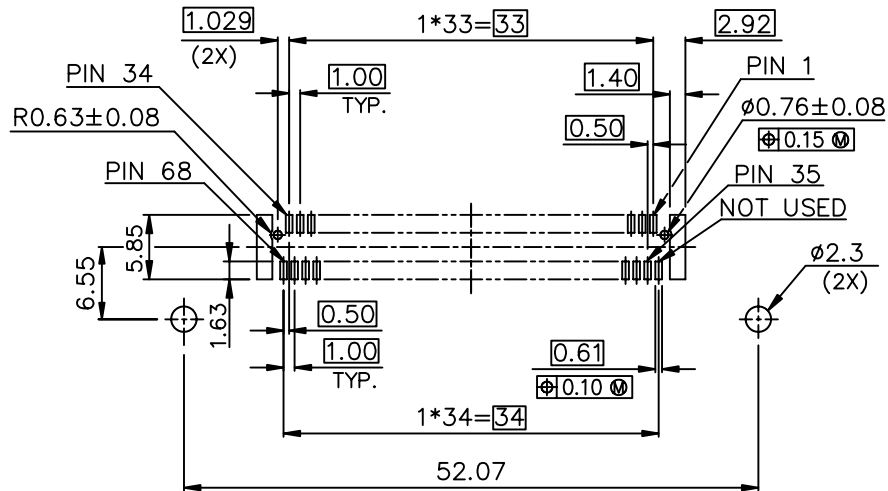
Tous droits strictement réservés. Reproduction ou communication à des tiers sans autorisation écrite du propriétaire. Droits de reproduction BERG ELECTRONICS by

All rights strictly reserved. Reproduction or issue to third parties in any form without written authority from the proprietor. Copyright BERG ELECTRONICS by

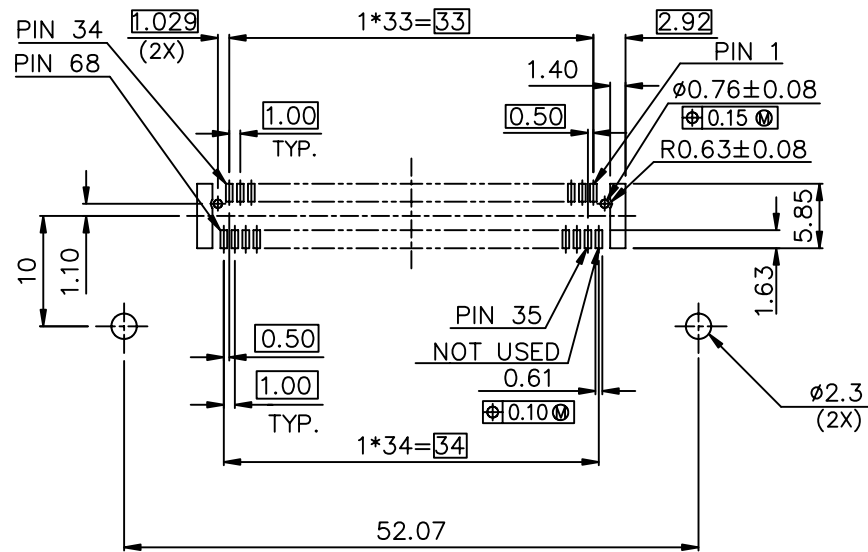


FOR P/N: 61127-5522/5543/5550/5522LF/5543LF/5550LF

FOR P/N: 61127-5500/5500LF

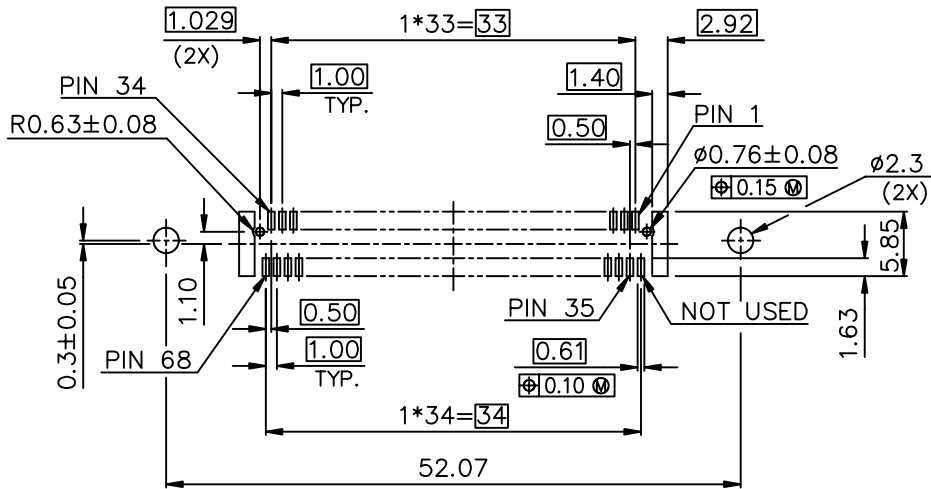


(RECOMMENDED PCB LAYOUT FOR CONAN)


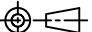


(RECOMMENDED PCB LAYOUT FOR CONAN)

FOR P/N: 61127-5022/5043/5050/5022LF/5043LF/5050LF



(RECOMMENDED PCB LAYOUT FOR CONAN)

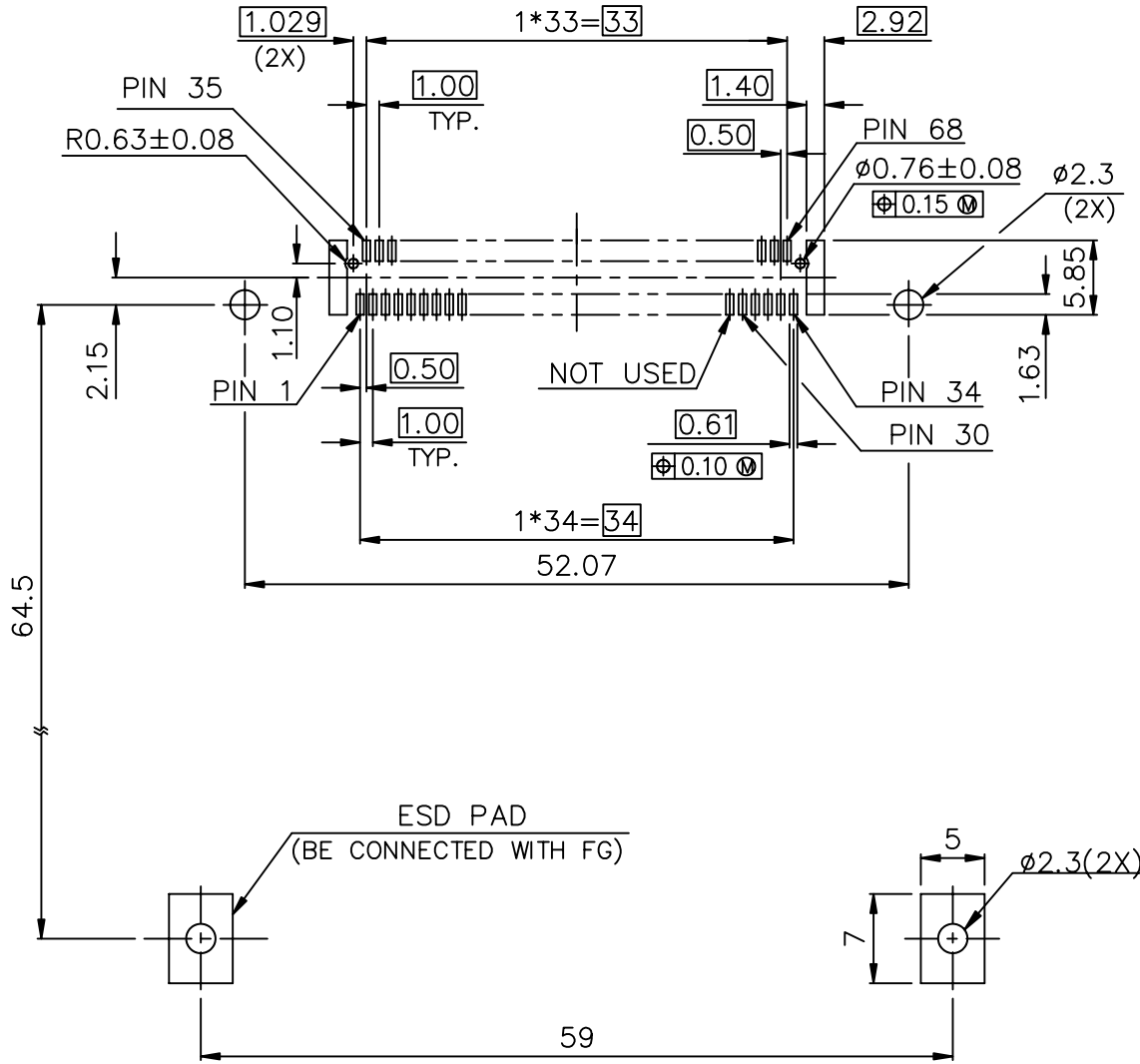
mat'l code		tolerance unless otherwise specified		CUSTOMER COPY		 www.fciconnect.com	
rev.	ecn no.	dr	date	linear	±0.10	projection	title
J				angles	± 2°		68POS. EJECTOR HEADER HEADER ASS'Y
		dr	WENDY CHEN 05/02/00	unit	mm/inch	product family	PCMCIA
		enr	JOSEPH HSIA 05/02/00	size	dwg no.	code	
		chr	JOSEPH HSIA 05/02/00	scale	2:1	61127	sheet 4 of 4
		appd	JOSEPH HSIA 05/02/00				
sheet	revision						
index	sheet						

Tous droits strictement réservés. Reproduction ou communication à des tiers sans autorisation écrite du propriétaire. Droits de reproduction BERG ELECTRONICS by

All rights strictly reserved. Reproduction or issue to third parties in any form without written authority from the proprietor. Copyright BERG ELECTRONICS by



FOR P/N: 61127-0022V/0022VLF



Tous droits strictement réservés. Reproduction ou communication à des tiers sans autorisation écrite du propriétaire. BERG ELECTRONICS est la propriété de BERG ELECTRONICS. Droits de reproduction BERG ELECTRONICS by

All rights strictly reserved. Reproduction or issue to third parties in any form without written authority from the proprietor. BERG ELECTRONICS is the property of BERG ELECTRONICS. Copyright BERG ELECTRONICS by



mat'l code		tolerance unless otherwise specified		CUSTOMER COPY		 www.fciconnect.com	
rev.	ecn no.	dr	date	linear	±0.1	projection	title 68POS. EJECTOR HEADER HEADER ASS'Y
J				angles			
				dr	WENDY CHEN	01/30/02	unit
				enr	MINERVA WANG	01/30/02	mm/inch
				chr	MINERVA WANG	01/30/02	scale
				appd	JENN TSAO	01/30/02	A3
sheet	revision			product family	PCMCIA	code	
index	sheet			size	dwg no.	61127	sheet 5 of